








hayneedle 

1.888.880.4884

## Assembly Instructions

ITEM Number : SH101

Product Name: Sun bed

No.	SpecialPart	QTY
1		4
2		2
3		2
4		1
5		4
6	M8X55 	4
7		2



### PRE-ASSEMBLY PREPARATION:

To assemble sunbed you need at least two people,  
Tools are not included in the package.  
Before assembly, ensure all parts are present and  
not damaged.

1. For the construction of the sun bed we need a flat, hard and plain surface.
2. Keep sun bed away from fire or inflammable objects.
3. To avoid risk of injure when using sunbed, follow these guidelines:
  - a) Don' t put arms and legs between seating area and frame of sun bed.
  - b) Don' t put any objects directly in front or behind the sun bed.
  - c) Use sun bed on a safe flat surface. Excessive swinging will cause the collapse of sun bed and injuries.
4. Maximum load 550LBS
5. Only let children use sun bed under adult supervision.
6. Occasionally check sun bed for loose screw, tighten them before using.
7. Cover up sun bed during wet and windy weather.
8. This sun bed is not suitable for the winter. Dismantle in the autumn and move to dry sheltered place for storage.

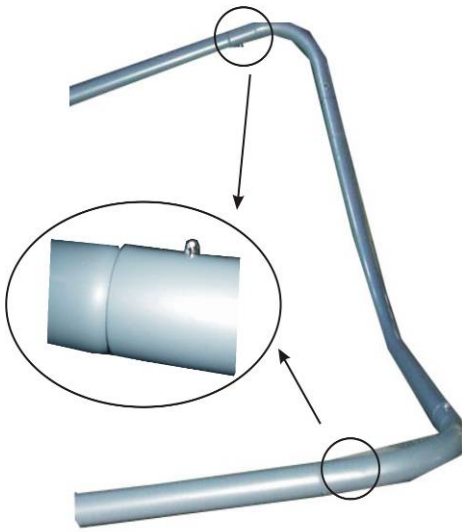
### Step5:



Wrapped screw M8x55 in part 5

Thank you for your purchase!

Step2:



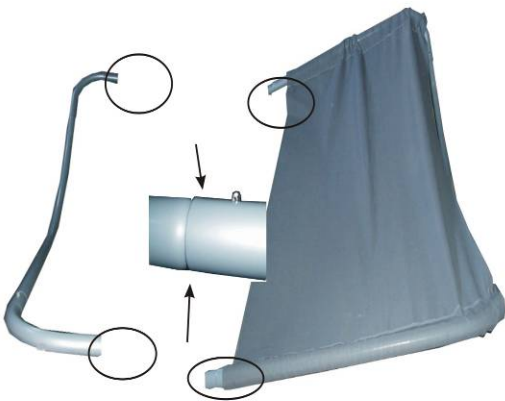
Connect part1&part3

Step3:



Insert part3 into part4

Step4:



Connect part1&part3

Step1:

